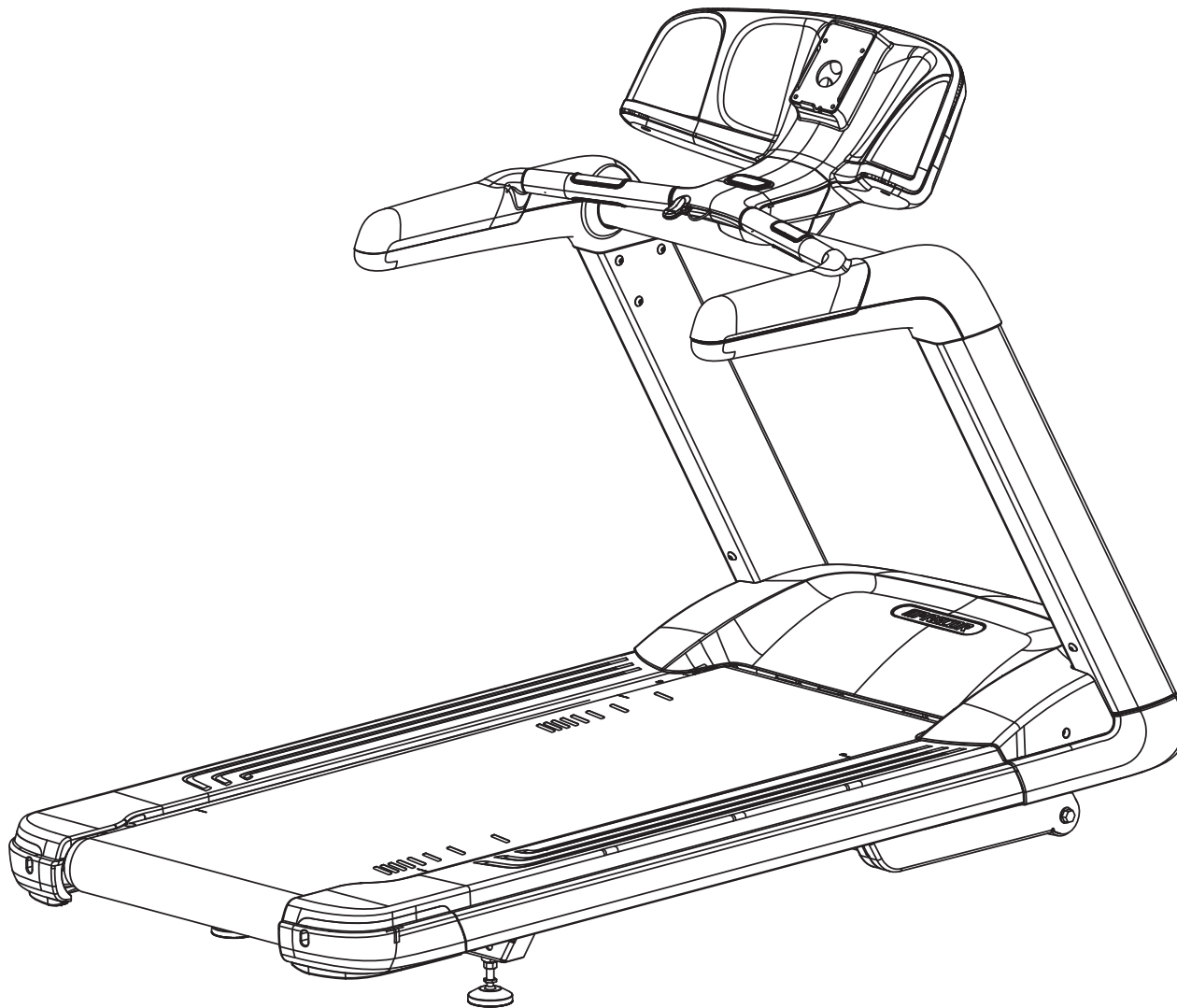


D

C

B

A



PRODUCT:  
**TRM700-18**

DRWN BY	09/30/16	SAH	SIZE
CS	06/22/16	SM	A

PAGE	1 OF 7
------	--------

DWG. NO.	304380-102
----------	------------

**PRECOR**

SUBREV	A01
--------	-----

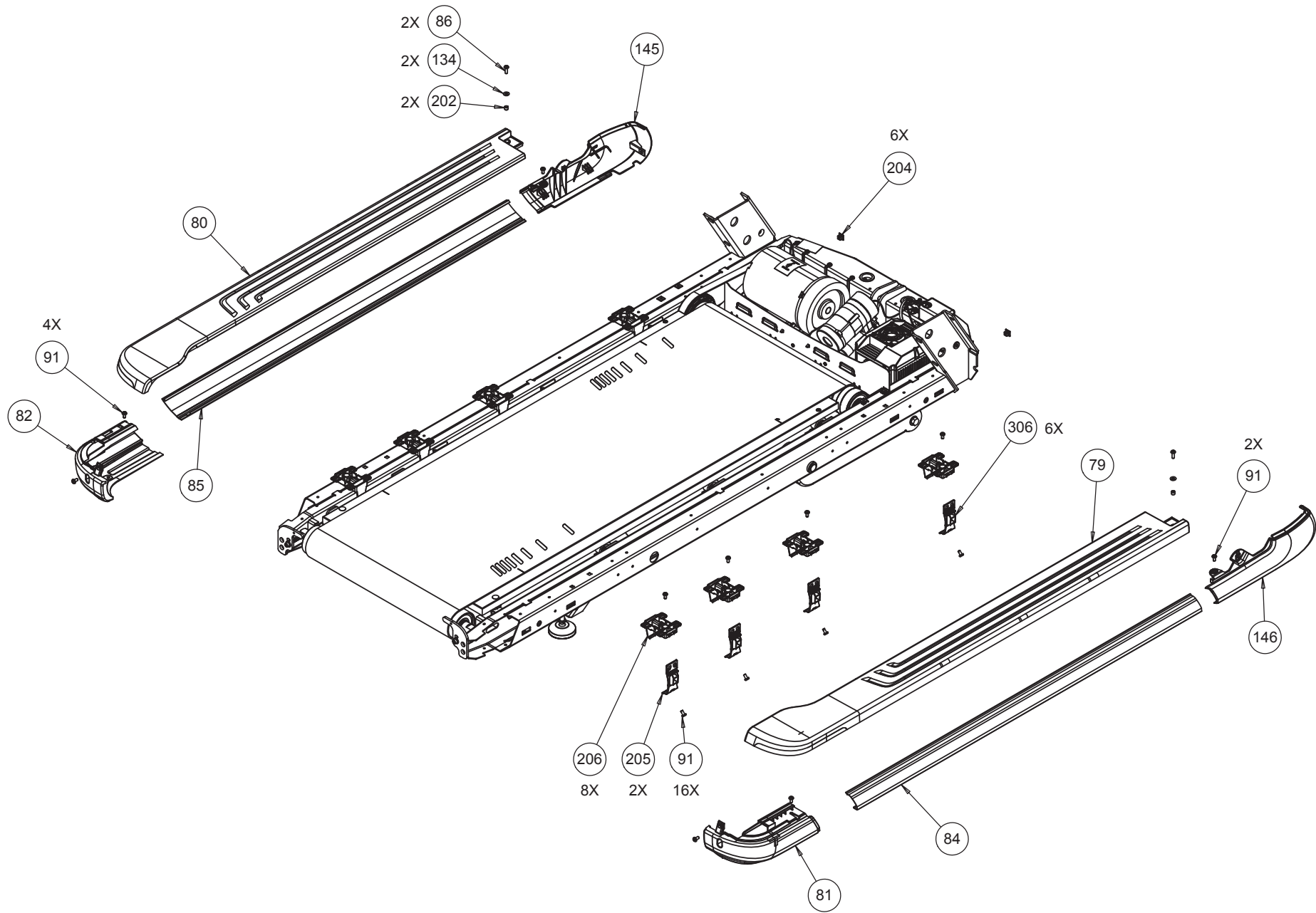
DRAWING TEMPLATE REV: D

4

3

2

1



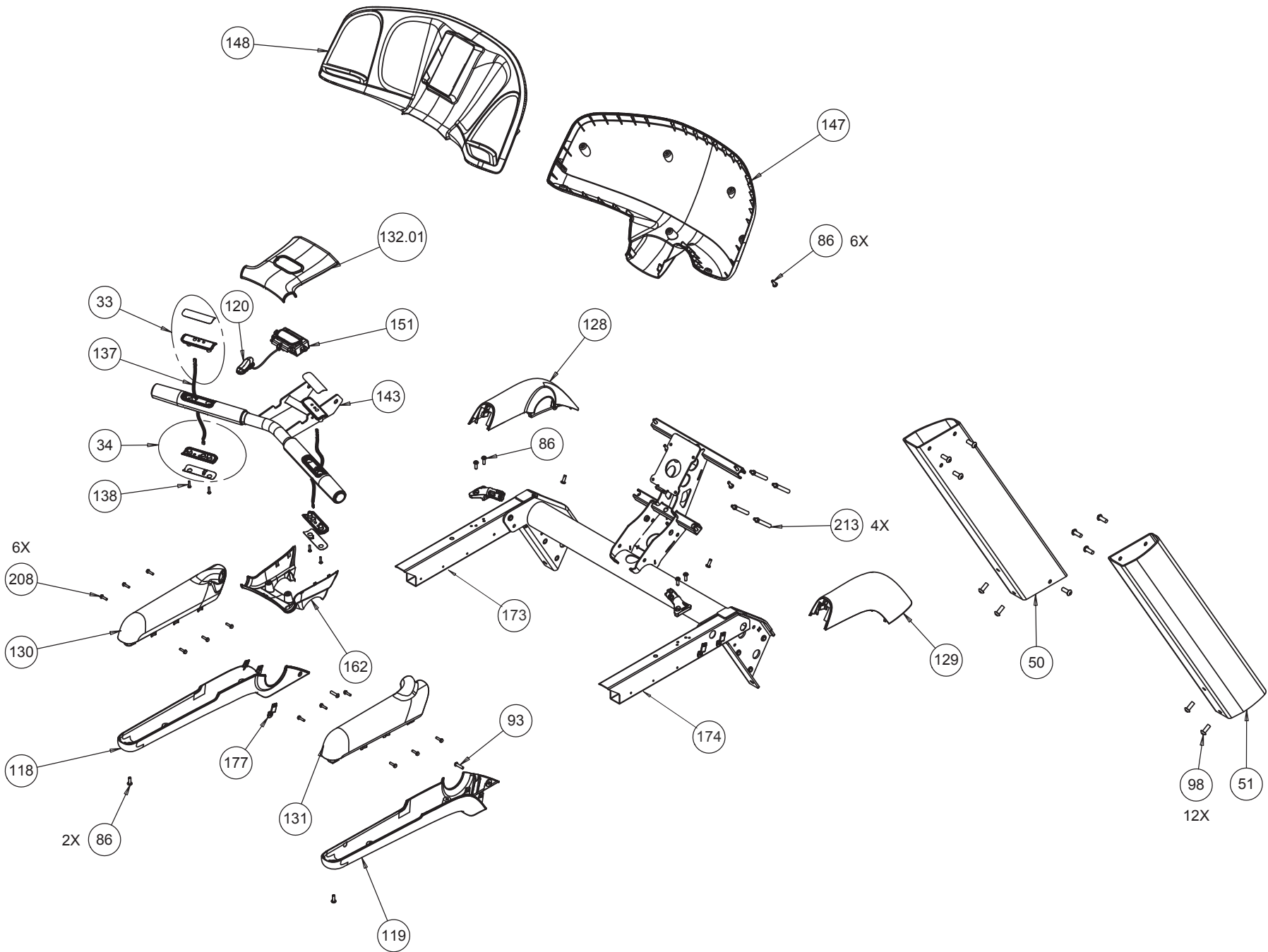


4

3

2

1

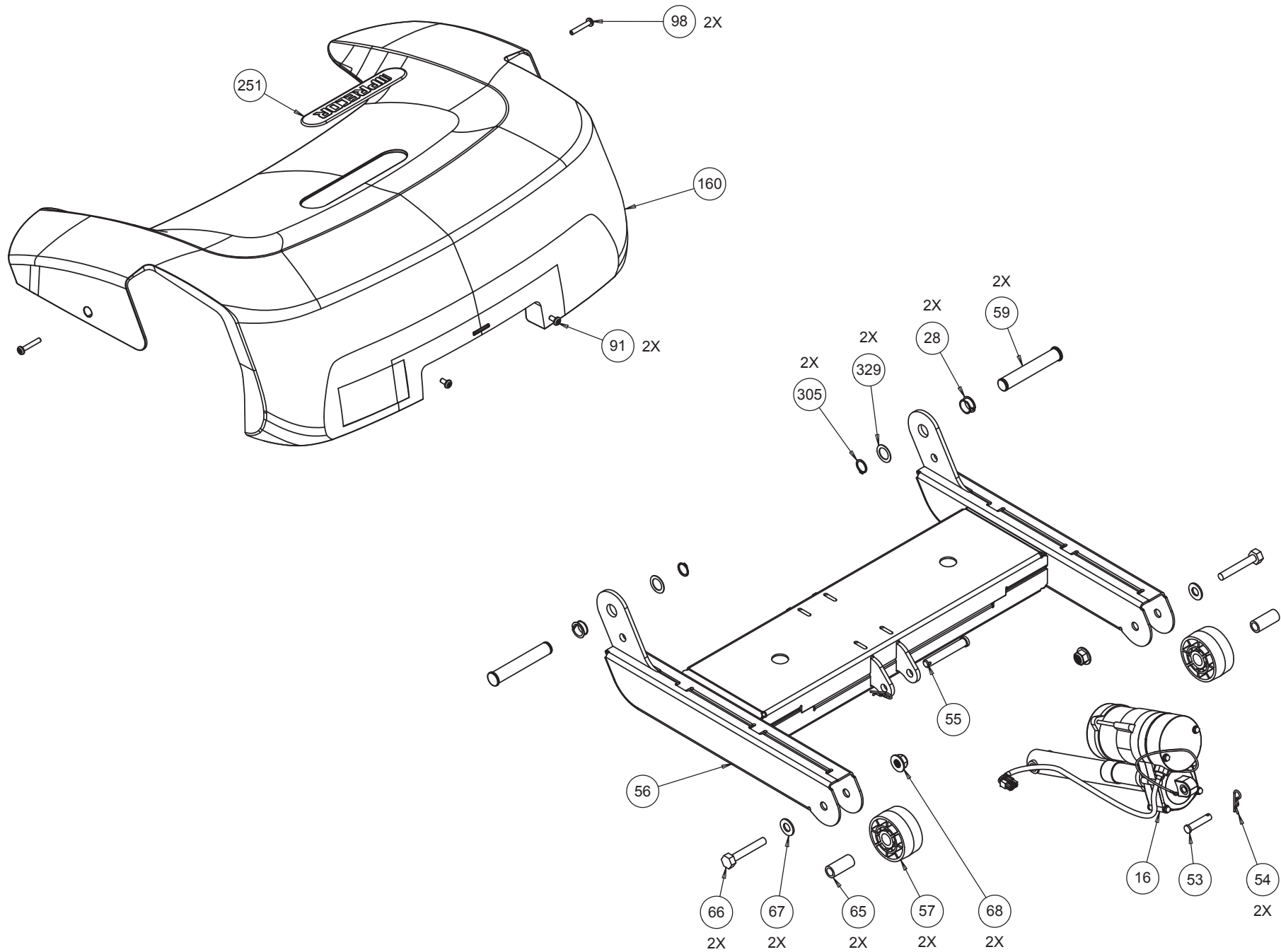


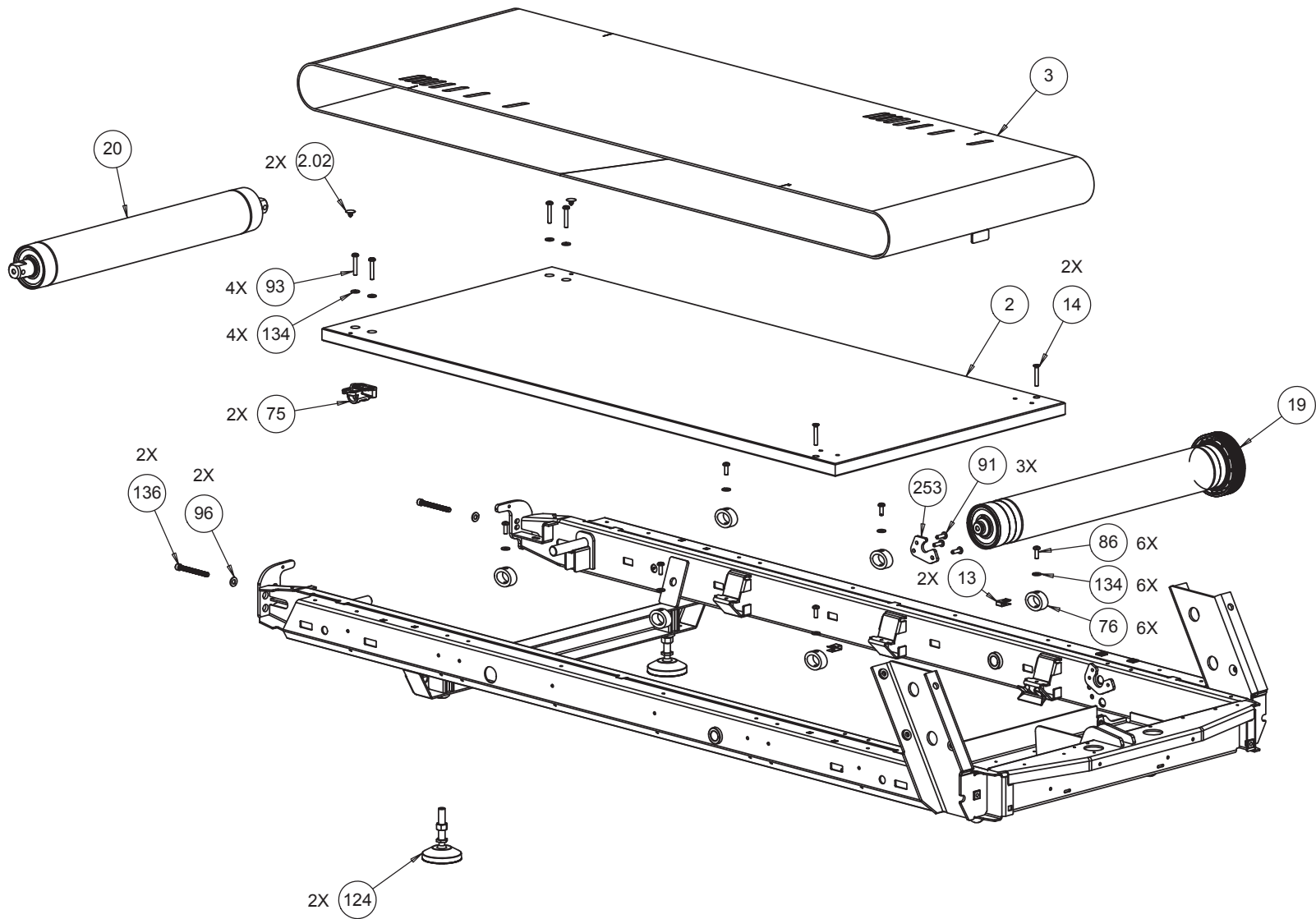
4

3

2

1



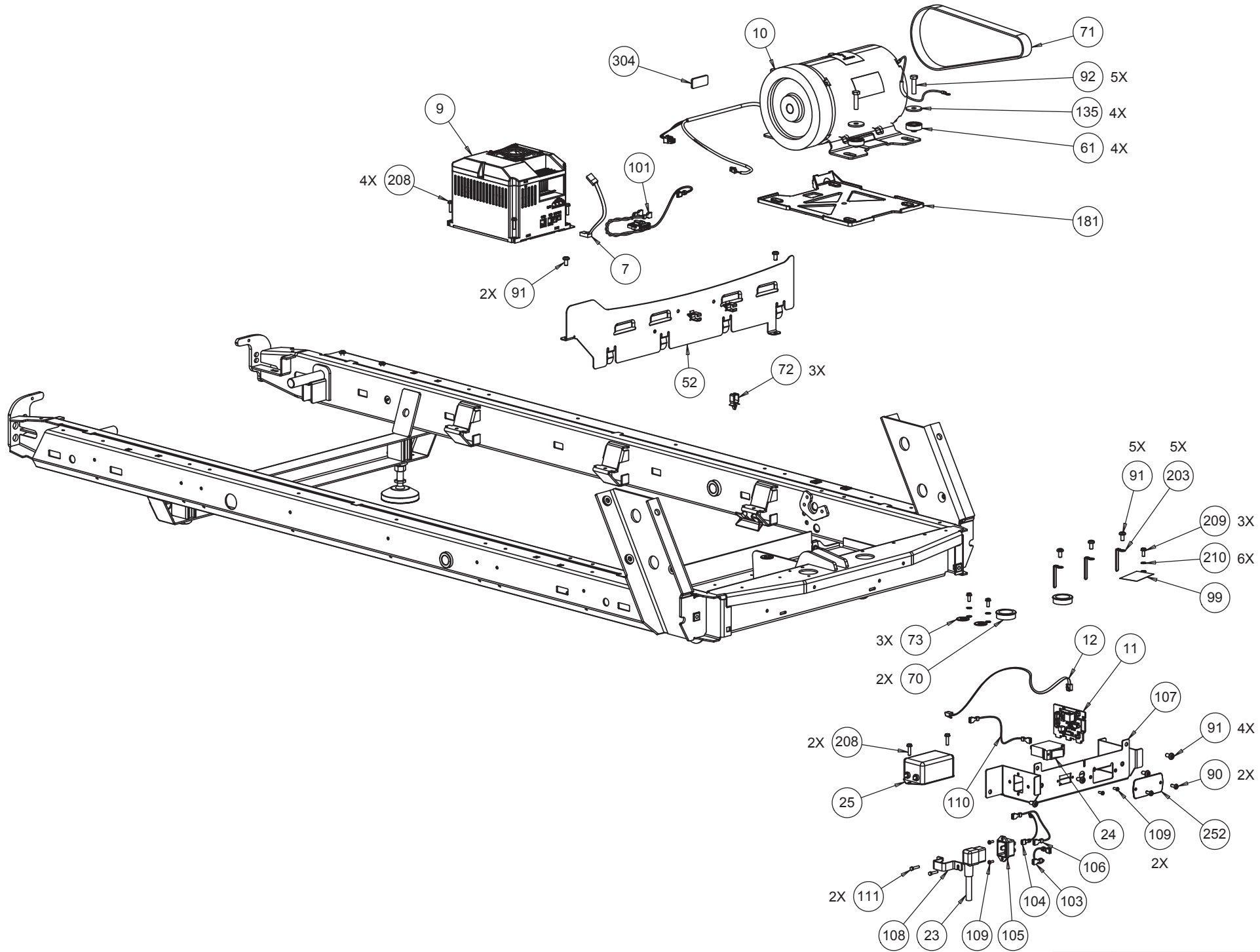


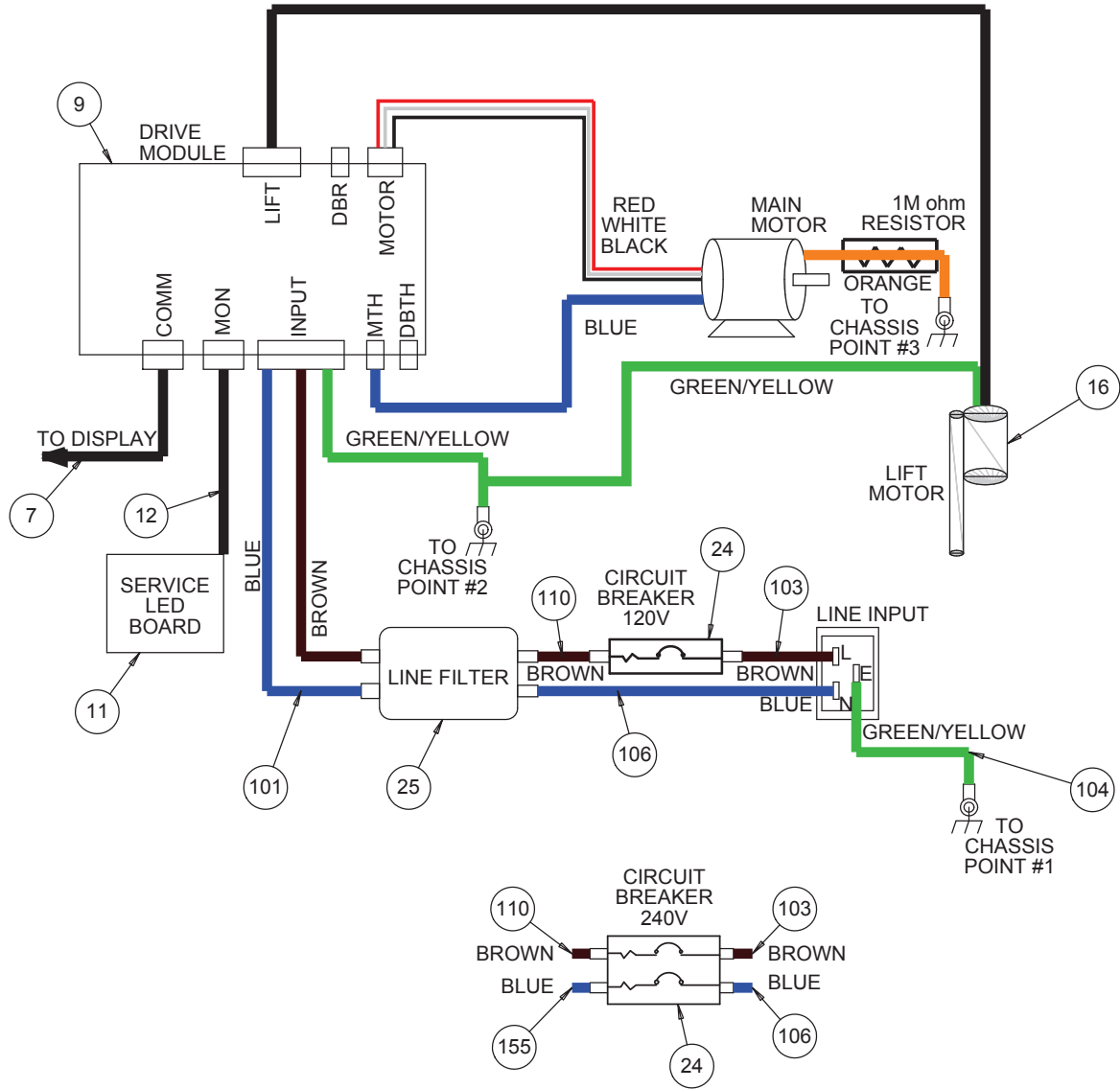
D

C

B

A





Bubble	Part #	Description
70	PPP000000010178112	BUSHING, SNAP
71	PPP000000010214101	BELT, DRIVE, 280J10 POLY V, TEM
54	PPP000000010400103	PIN, HITCH, .093 DIA, ZINC, #203
60	PPP000000010400106	PIN, HITCH, .125 DIA, ZINC, #216
53	PPP000000010401106	PIN,CLEVIS, 3/8 X 1.75, ZINC
72	PPP000000011278101	CABLE CLAMP,INSERT
25	PPP000000011350101	FILTER, POWER LINE, #10 PANEL MOUNT
24	PPP000000011462143	CKT BRKR,250V,MAGNETIC,ROCKER,1 PO
202	PPP000000013216101	HARDWARE, COMPRESSION LIMITER 6MM X
203	PPP000000013217101	WIRE CLAMP, .25 INCH FASTENER, META
204	PPP000000013222101	SQUARE PLASTI-GROMMET, 1/4 IN FSTNR
136	PPP000000013245102	BOLT, BELT TENSION, GRADE 8
139	PPP000000013246101	NUT, BARREL
2.02	PPP000000013254101	PINE TREE CLIP: REMOVABLE, REUSABLE
13	PPP000000013277101	CLIP, U TYPE, SPRING STEEL, KEYHOL
301	PPP000000013486201	BELT TRACKER,PLATED
73	PPP000000033984101	LABEL, SAFETY, GROUND SYMBOL
65	PPP000000036192101	BUSHING, SPANNER
102	PPP000000037436101	LABEL, CHASIS NEUTRAL
103	PPP000000040193005	ASSY,CBL,1C,12AWG,250X032 QD RECP(X
110	PPP000000040193009	ASSY,CBL,1C,12AWG,250X032 QD RECP(X
104	PPP000000040195008	CBL,1C,14AWG,,#10 RING,250X032 QD R
12	PPP000000041605018	ASSY,CBL,MOD,6P4C,1-1,SILVER,18 in.
120	PPP000000044021104	CLIP ASSEMBLY
57	PPP000000044270101	WHEEL, LIFT
7	PPP000000044905108	ASSY,CBL,MOD,8P8C,1-1,SILVER,108 in.
105	PPP000000045381101	IEC 16/20A POWER CORD INLET
55	PPP000000045669107	PIN, LIFT PIVOT, 3.34, MUSHROOM HEA
23	PPP000000047429144	PWR CORD,125VAC,20A,NEMA 5-20RA45/I
2	PPP000000058097104	DECK W/SHIPPER,TRM700-18 (NO WAX)
10	PPP000000058099101	KIT, BOXED, MOTOR DRIVE,COMMERCIAL
300	PPP000000058114101	KIT, TRM 800 MOTOR THERMAL SWITCH C
251	PPP0000000300678101	LABEL, HOOD ALUMINUM, NEW LOGO
106	PPP0000000302226009	ASSY,CBL,1C,12AWG,250X032 QD RECP(X
19	PPP0000000302420107	ASSEMBLY, ROLLER, DRIVE
205	PPP0000000302440101	ANCHOR, SIDE TRIM
107	PPP0000000302466101	BRACKET, POWER ENTRY
56	PPP0000000302468101	WELDMENT, LIFT PLATFORM, PAINTED
77	PPP0000000302475101	SPACER, LIFT PLATFORM
88	PPP0000000302481105	PLATE, REAR ROLLER MOUNT LH
89	PPP0000000302481106	PLATE, REAR ROLLER MOUNT RH
76	PPP0000000302482101	CUSHION, GFX
59	PPP0000000302485103	PIN, LIFT PIVOT
158	PPP0000000302487101	EXTRUSION, REAR ROLLER ADJUSTMENT (
159	PPP0000000302493101	SPACER, REAR ROLLER ADJUSTMENT
15	PPP0000000302495101	ROLLER KEEPER, LH

253	PPP000000302495102	ROLLER KEEPER, RH
11	PPP000000302497101	ASSY, SERVICE LED BOARD
52	PPP000000302508102	DUST GUARD
206	PPP000000302520101	TRIM LANDING, ANCHOR, MOUNTING BLOC
151	PPP000000302525101	ASSY, EMERGENCY STOP SWITCH
148	PPP000000302534103	ASSY,DASH FRONT,TUNGSTEN
147	PPP000000302536102	COVER,DASH BACK,TUNGSTEN
132.01	PPP000000302539102	COVER,DASH TOP,TUNGSTEN
80	PPP000000302540109	ASSY,TRIM LANDING,LH,TUNGSTEN
79	PPP000000302540110	ASSY,TRIM LANDING,RH,TUNGSTEN
99	PPP000000302542101	LABEL, WARNING, BLEED DOWN CABLE AT
162	PPP000000302544102	COVER,DASH BOTTOM,TUNGSTEN
128	PPP000000302545103	COVER,UPPER SIDEARM,LH,TUNGSTEN
129	PPP000000302545104	COVER,UPPER SIDEARM,RH,TUNGSTEN
118	PPP000000302546103	COVER,LOWER SIDEARM,LH,TUNGSTEN
119	PPP000000302546104	COVER,LOWER SIDEARM,RH,TUNGSTEN
130	PPP000000302547101	ASSY, HAND CONTACT COVER, LEFT
131	PPP000000302547102	ASSY, HAND CONTACT COVER, RIGHT
160	PPP000000302549103	ASSY, HOOD,TUNGSTEN,NO BADGE
161	PPP000000302552101	INDICATOR, STATUS, LIGHT PIPE
113	PPP000000302559104	DISPLAY MOUNT, BLACK PEARL
143	PPP000000302571101	OVERMOLD, HHR BAR
173	PPP000000302572103	TUBE, SIDE ARM, LH, PAINTED
174	PPP000000302572104	TUBE, SIDE ARM, RH, PAINTED
175	PPP000000302574101	CASTING, HHR BAR ATTACH, LH
176	PPP000000302574102	CASTING, HHR BAR ATTACH, RH
200	PPP000000302577107	HARDWARE KIT, TRM700/600, BP
177	PPP000000302582101	STRAP, MOUNTING, FRONT COVER
145	PPP000000302583103	ASSY,HOOD TRANSITION,LH,TUNGSTEN
146	PPP000000302583104	ASSY,HOOD TRANSITION,RH,TUNGSTEN
82	PPP000000302589103	ASSY,END CAP,LH,TUNGSTEN
81	PPP000000302589104	ASSY,END CAP,RH,TUNGSTEN
181	PPP000000302614102	ISOLATOR, PLASTIC MOTOR
61	PPP000000302616104	WASHER, TOP HAT, MOTOR
62	PPP000000302617102	WASHER, BOTTOM, MOTOR
16	PPP000000302625105	MOTOR, LIFT ACTUATOR, 120V, 282S PO
101	PPP000000303042010	CABLE, FILTER TO DRIVE MODULE,10 in.
153	PPP000000303049030	ASSY,CABLE W/JACKET,E-STOP PLUS SOF
75	PPP000000303380101	ASSY, PIVOT, REAR DECK
252	PPP000000303538101	BLANKING PLATE, INTERFACE
3	PPP000000303765105	RUNNING BELT, AMMERAAL, ROPANYL LAS
9	PPP000000304285107	ASSY,ADT-DRIVE,COMMERCIAL,TRM700,12
137	PPP000000304443052	ASSY, CABLE, CHR PCA TO GRIP, JACKE
124	PPP000000304623101	FOOT, REAR LEVELING
20	PPP000000304650101	ASSEMBLY, ROLLER, TAKE UP, BOLT TEN
999	PPP000000305281900	TRM600/700 COMBINED LITERATURE KIT-
33	PPP000000RX3AUH000	HANDLEBAR ASSEMBLY W/ HAND PULSE AS

34	PPP00000RX3AUK000	HANDLEBAR ASSEMBLY W/ HAND PLUSE AS
138	PPP00000RX3B0V000	CR. RE. PAN HD. SCREW, M4*0.7-18
213	PPP00000CAME038063	SHCS,3/8-16 X .625 ,NYLOK,STL,MECH
66	PPP00000HCTN050275	SCREW,HEX,GR 5,1/2-13X2-3/4,BLK SHR
111	PPP00000HNCN016075	HHCS,MCH,#8-32 X .75,STL,CLR ZN
109	PPP00000MGCN013038	SCREW,MCH,6-32X3/8,PANHD,PHIL,
152	PPP00000MGCN016050	SCREW,MCH,8-32X1/2,PANHD,PHIL,
98	PPP00000THTE038056	SCREW,BHCS,3/8-16 X 9/16,STL,BLACK
134	PPP00000WBCN025006	WASHER,FLT,1/4X..500X.063,ZN (MECH
97	PPP00000WBMN031007	WASHER,FLAT,SAE TYP A,5/16,STL,MECH
67	PPP00000WBZN050008	WASHER, FLAT,1/2,.086 BLK CVS
133	PPP00000YCTN031200	SCREW, LOW PROFILE SHCS, ALLOY STEE
207	PPP00000KBPCN038034	NUT,HEX,3/8-24,STL, GRADE 8, CLEAR
68	PPP00000KBTKN050055	NUT, HEX FLANGE, NYLON INSERT, 1/2,
14	PPP00000MACTN025163	SCREW, FLAT HD SOCKET CAP, 1/4-20 X
90	PPP00000PANTN019075	SCREW,S/T,#10-24X3/4,PANHD,PHIL,TRI
91	PPP00000PANTN025050	SCREW,S/T,#1/4-20X1/2,PANHD,PHIL,TR
86	PPP00000PANTN025075	SCREW, SELF TAPPING, 1/4-20 X 0.75,
93	PPP00000PANTN025150	SCREW, SELF TAPPING, 1/4-20 X 1.50,
163	PPP00000PARCN019038	SCREW,SELF-TAP,TRI,PAN HD PHIL,#10
123	PPP00000PARTN016050	SCREW,SELF-TAP,TRI,PAN HD PHIL,#8 X
208	PPP00000PBDCA019075	SCREW,SELF-TAP,TRI,WASHER HD HEX,10
209	PPP00000PBJCG019050	SCREW,SELF-TAP,TYPF,WASHER HD HEX/S
135	PPP00000WABCN031011	WASHER,FENDER,EXTRA THICK,HARDENED
210	PPP00000WAMCN019002	WASHER, LOCK, EXT TOOTH, #10
95	PPP00000WAVCN038015	WASHER,FLAT,TYP A,3/8,STL,CLR ZN
50	PPP00000BFB304728101	TARGA EXTRUSION, TRM700, LH, BFB